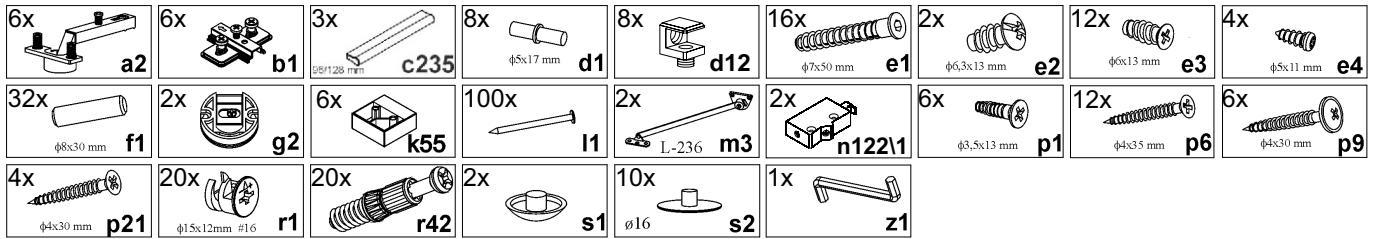
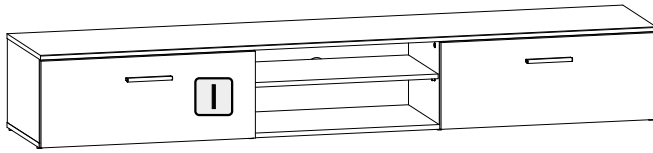
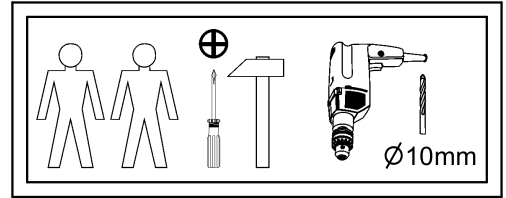
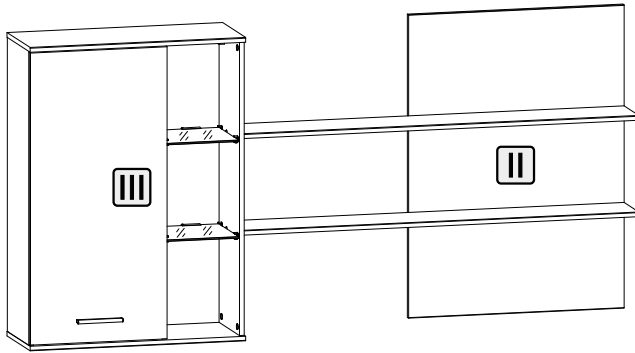
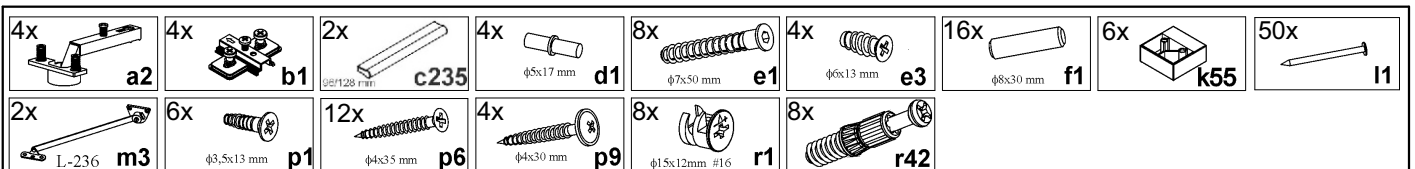
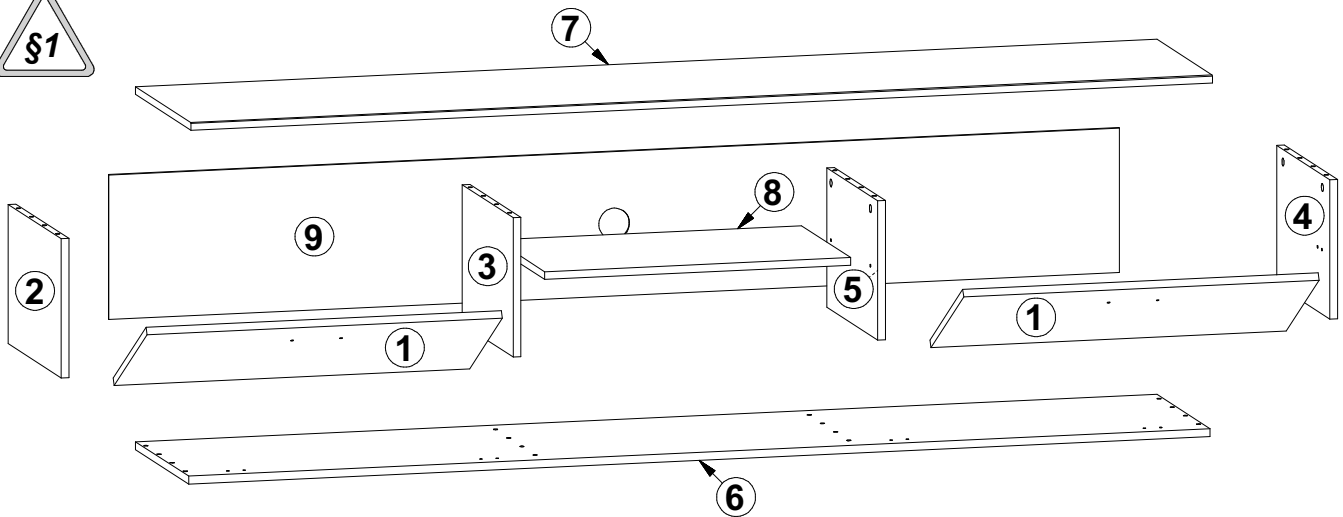
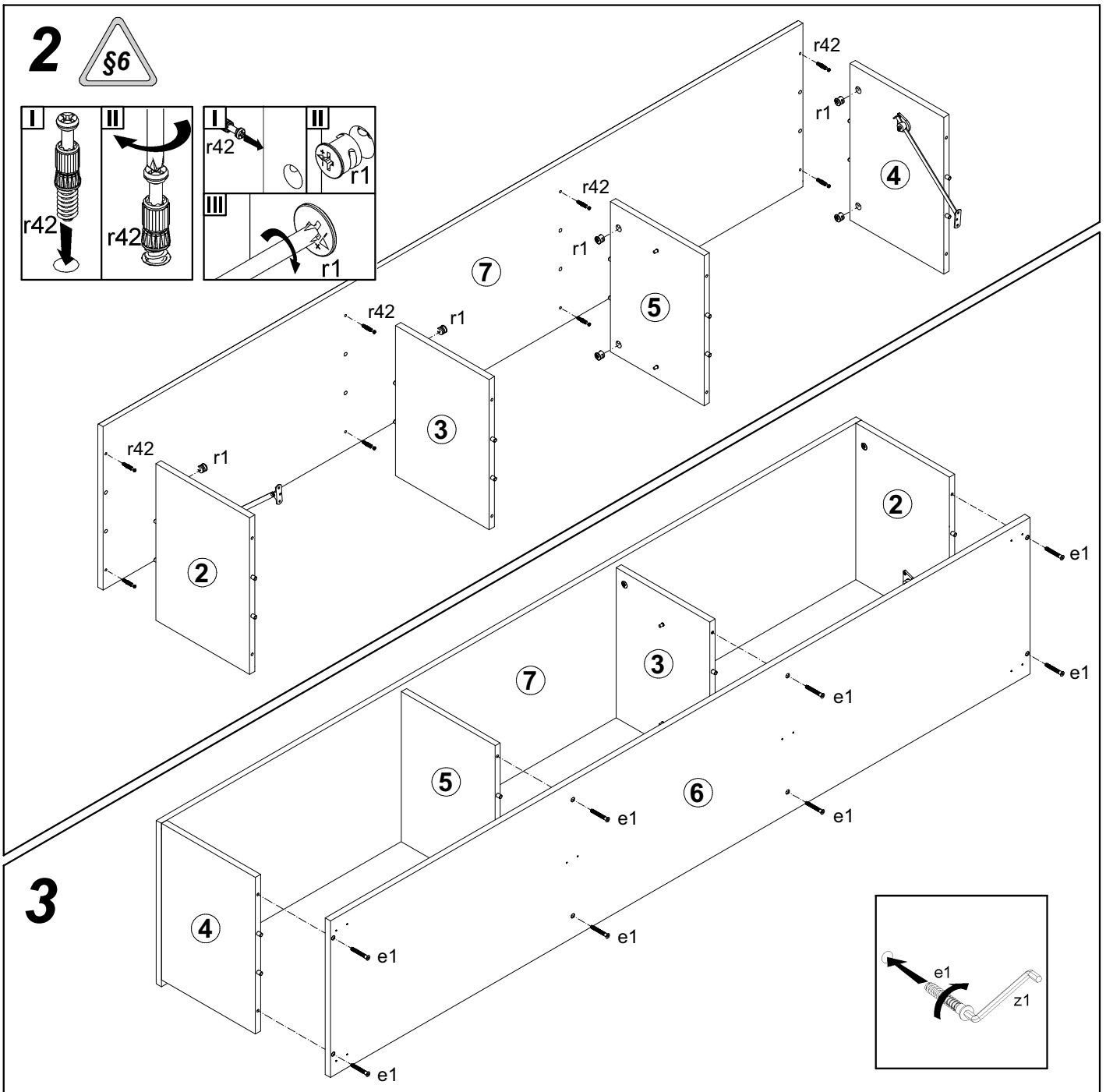
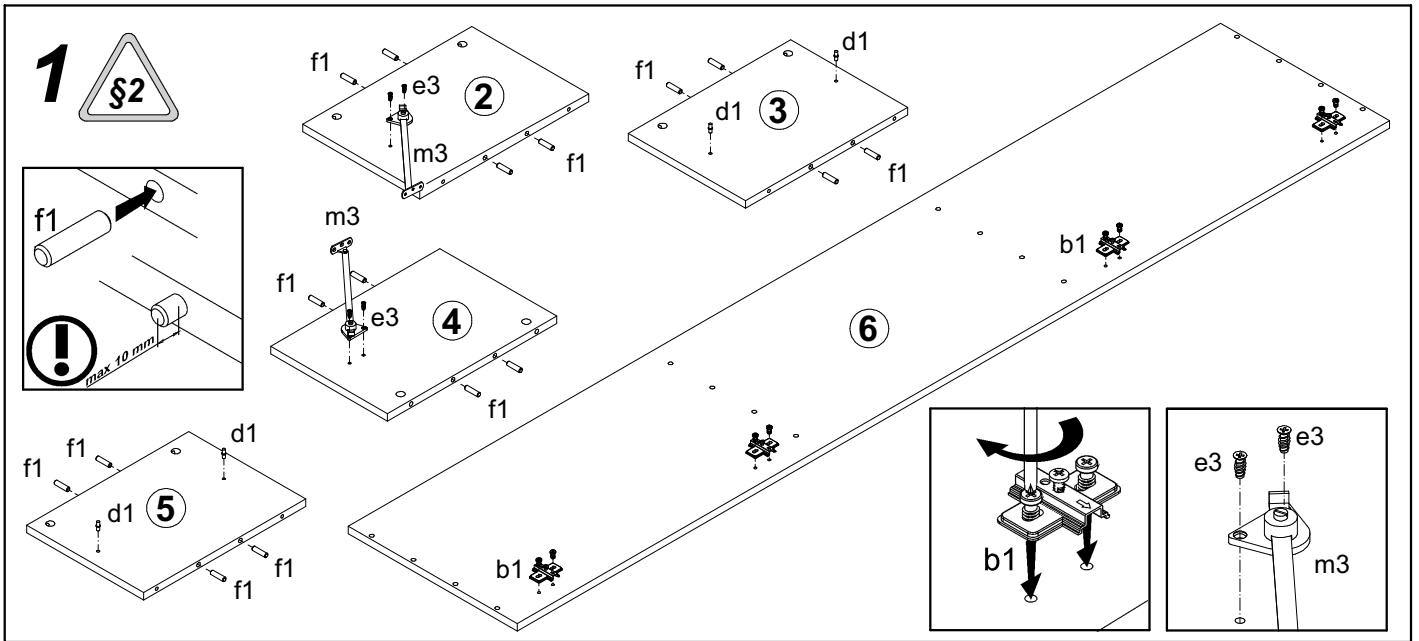


# QUATRO



A	B	C	D	A	B	C	D		
1	M97-002	696	277	2/2	6	M97-203	2000	388	1/2
2	M97-104	268	388	1/2	7	M97-204	2000	405	1/2
3	M97-105	268	388	1/2	8	M97-303	595	376	1/2
4	M97-106	268	388	1/2	9	M97-903	1995	293	1/2
5	M97-107	268	388	1/2					

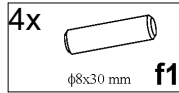
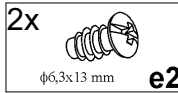
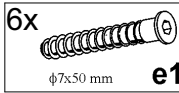
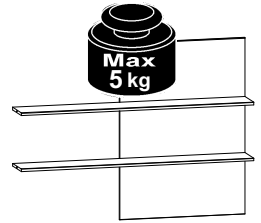
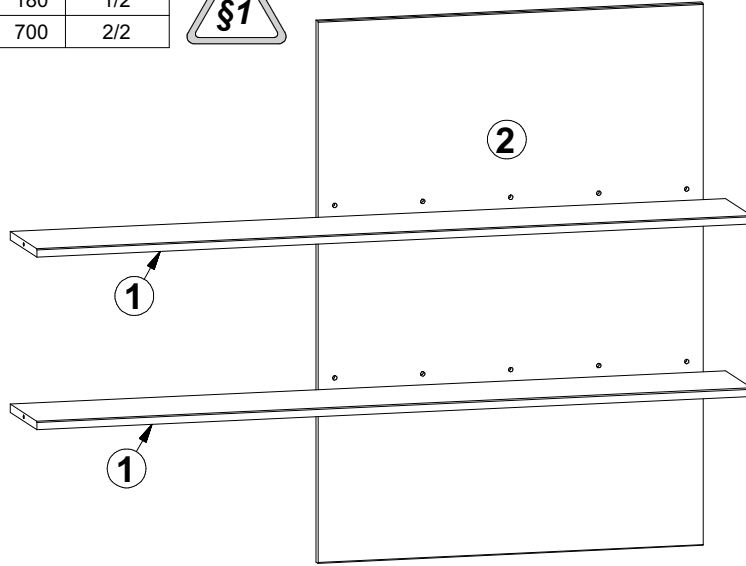




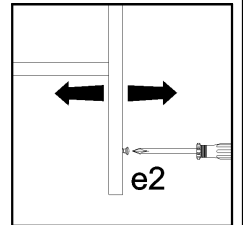
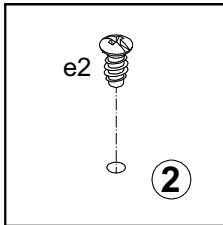
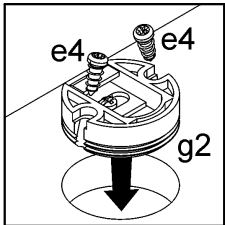
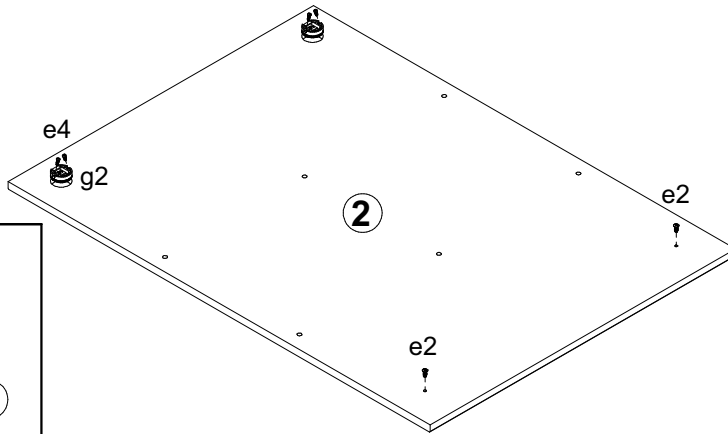




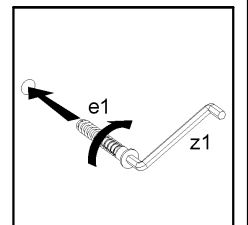
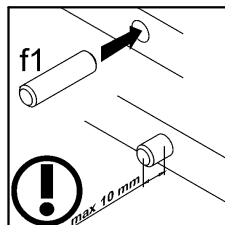
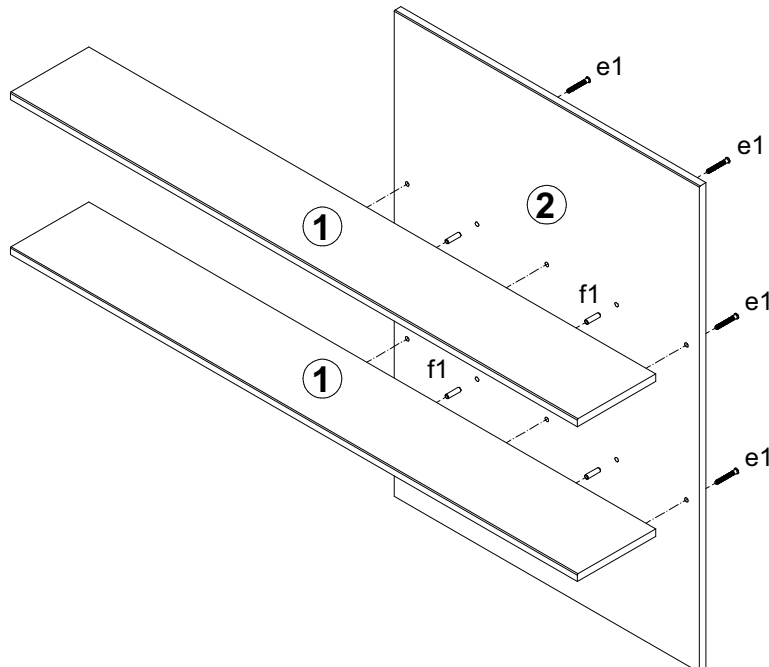
A	B	C		D
1	M97-304	1300	180	1/2
2	M97-401	968	700	2/2



# 7

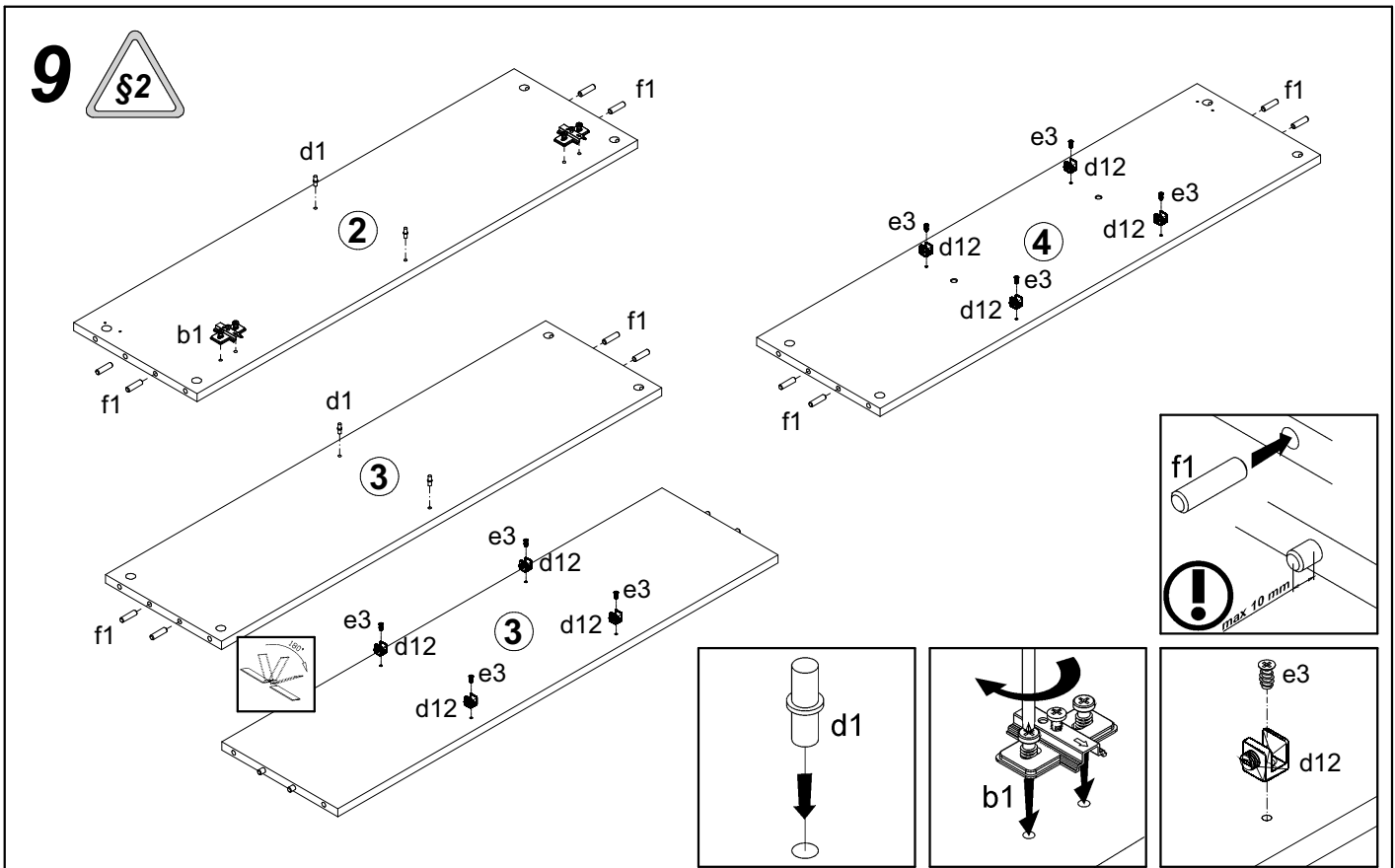
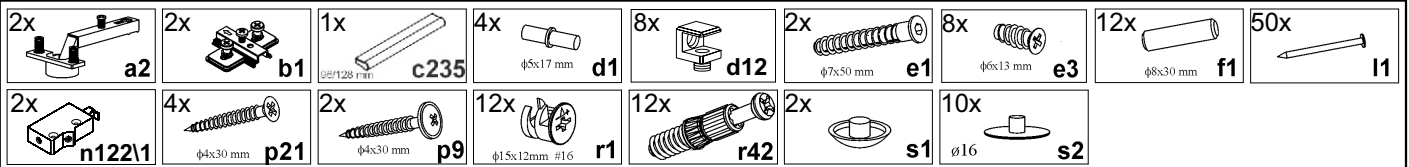
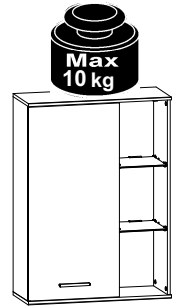
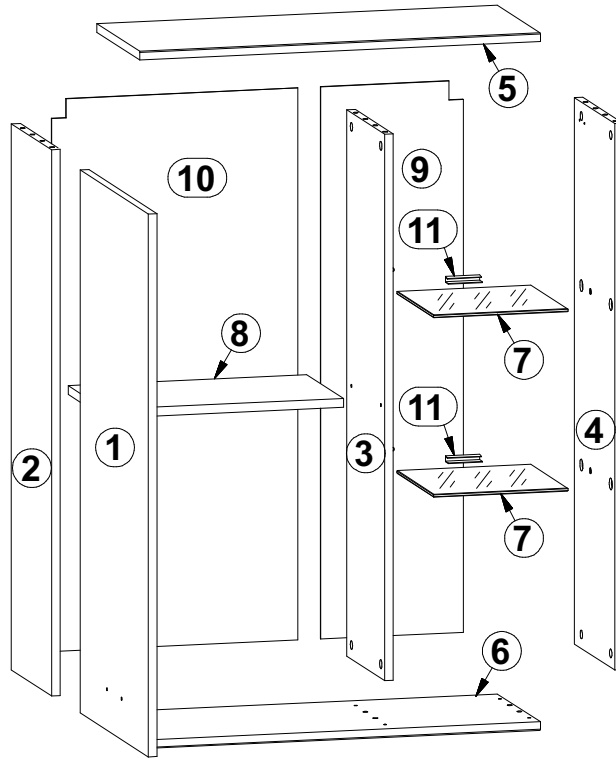


# 8

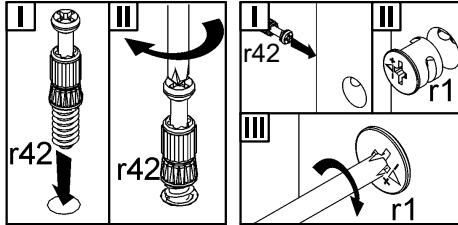
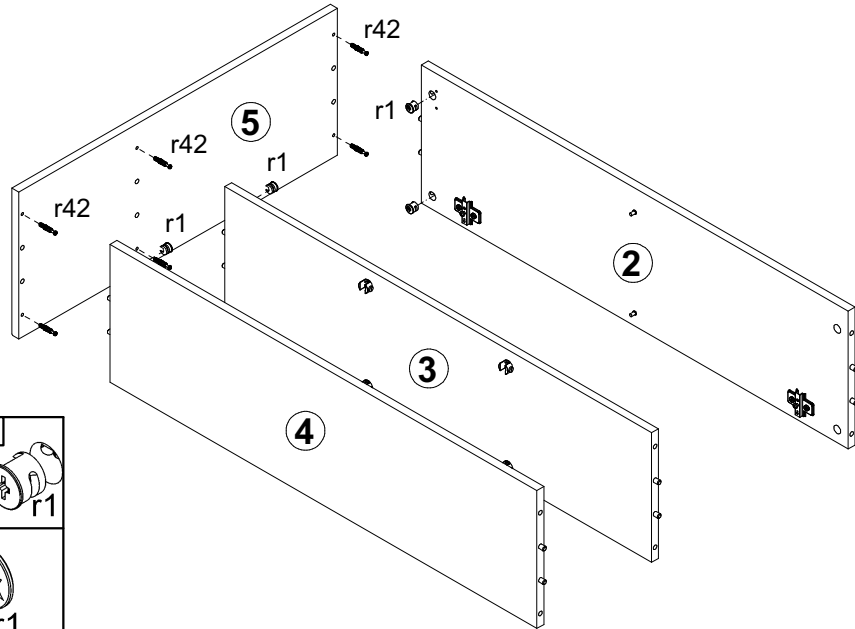




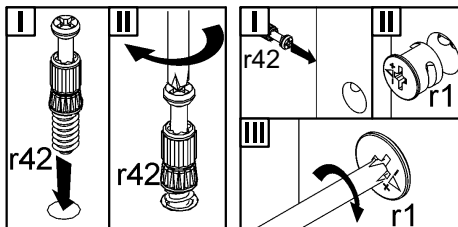
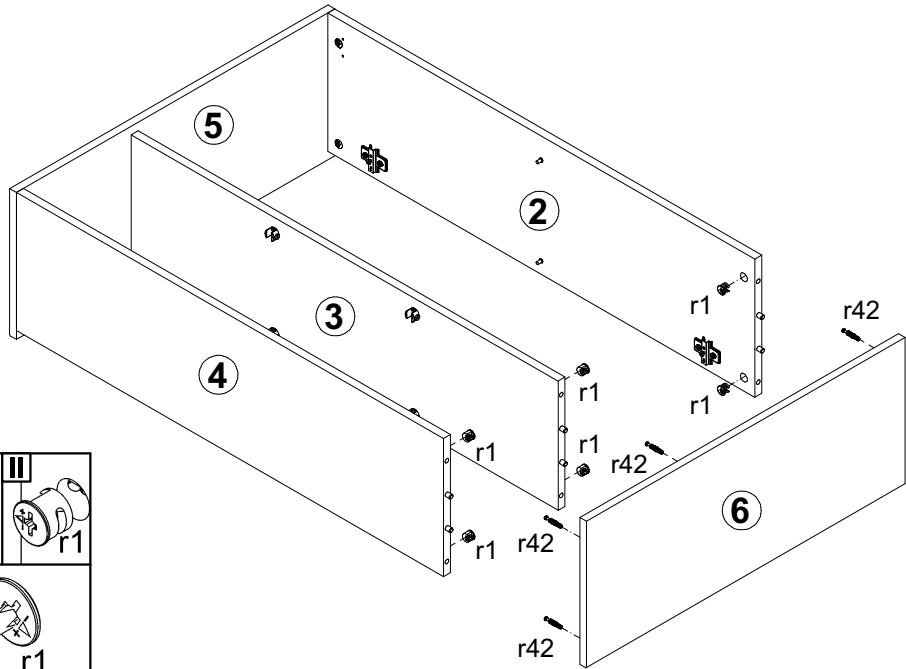
A	B	C	D	
1	M97-001	932	444	2/2
2	M97-101-01	938	263	2/2
3	M97-102	938	263	2/2
4	M97-103-01	938	263	2/2
5	M97-201	700	280	2/2
6	M97-202	700	280	1/2
7	M97-301	225	256	2/2
8	M97-302	417	256	2/2
9	M97-901-01	965	256	2/2
10	M97-902-01	965	439	2/2
11	qb20\2	LED		2/2



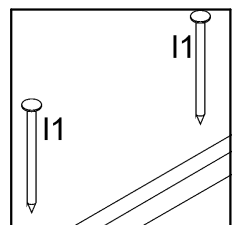
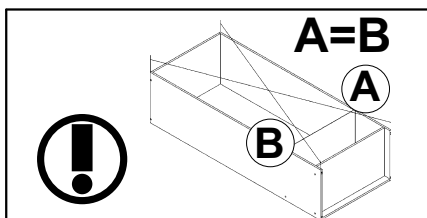
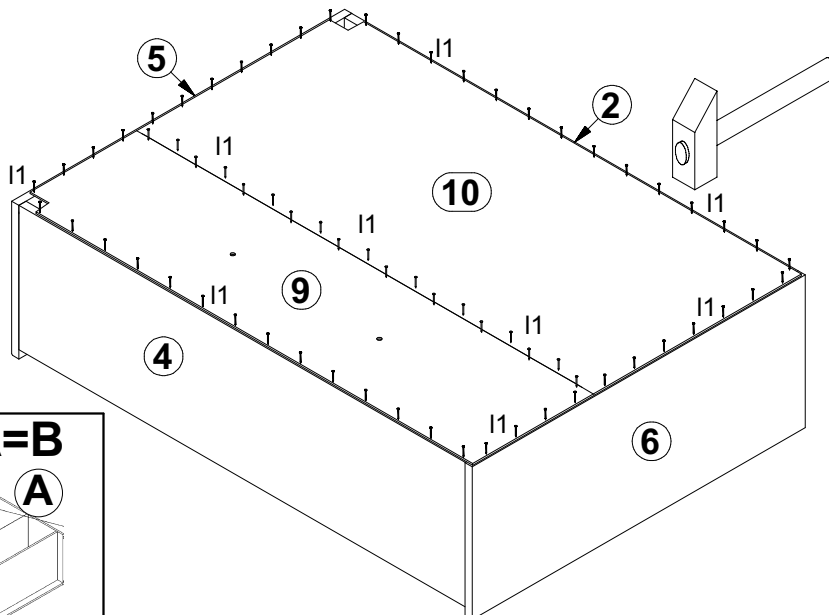
# 10



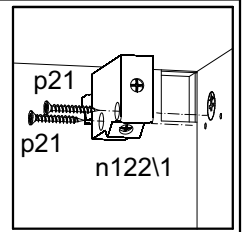
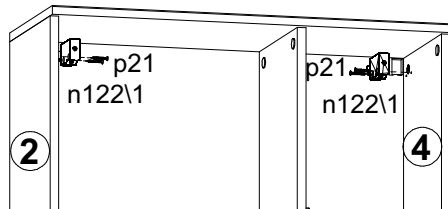
# 11



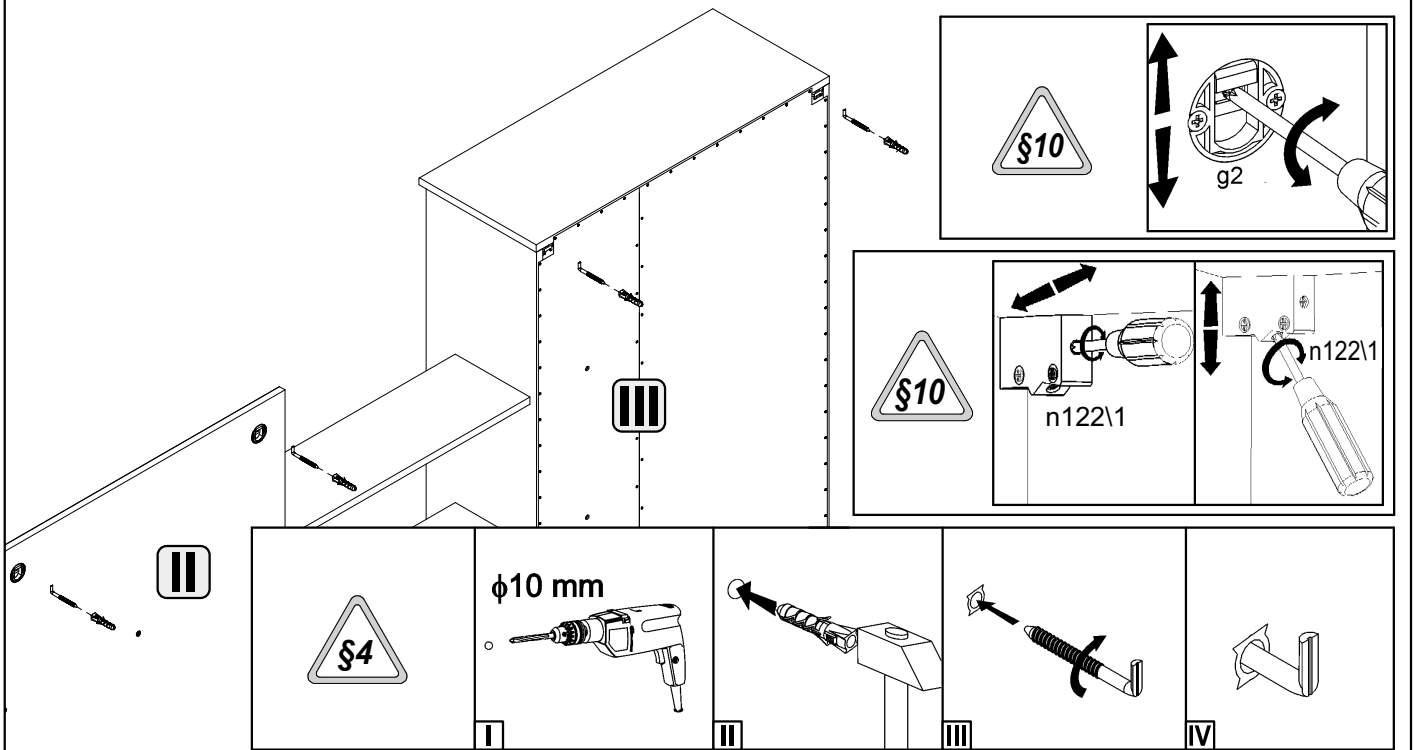
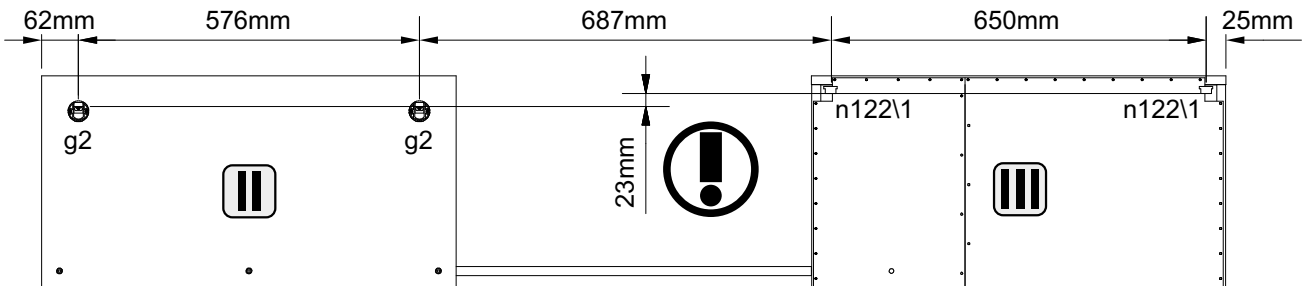
# 12



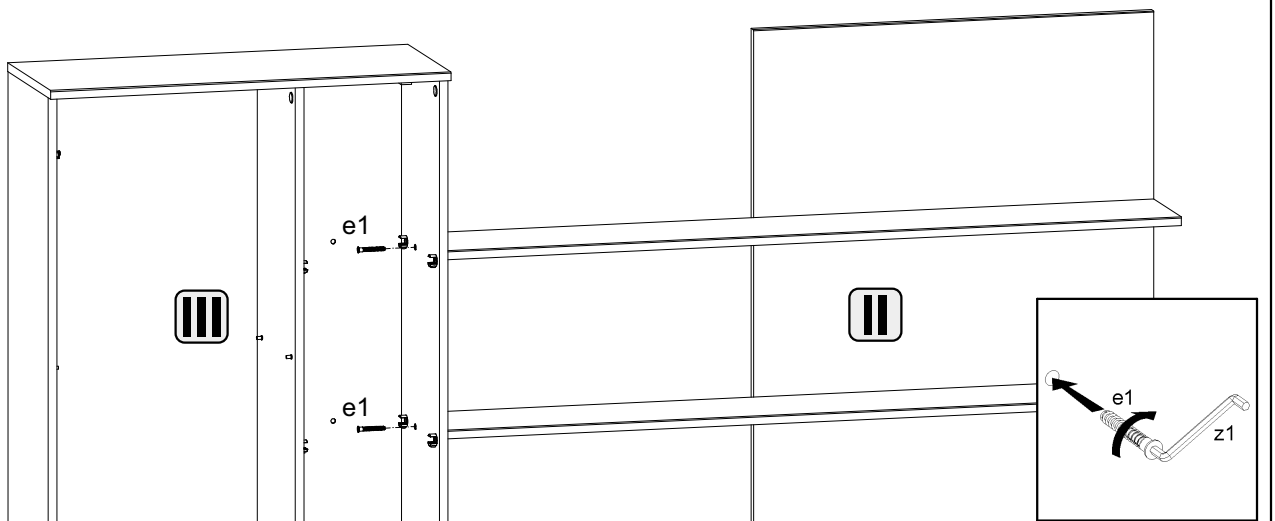
# 13



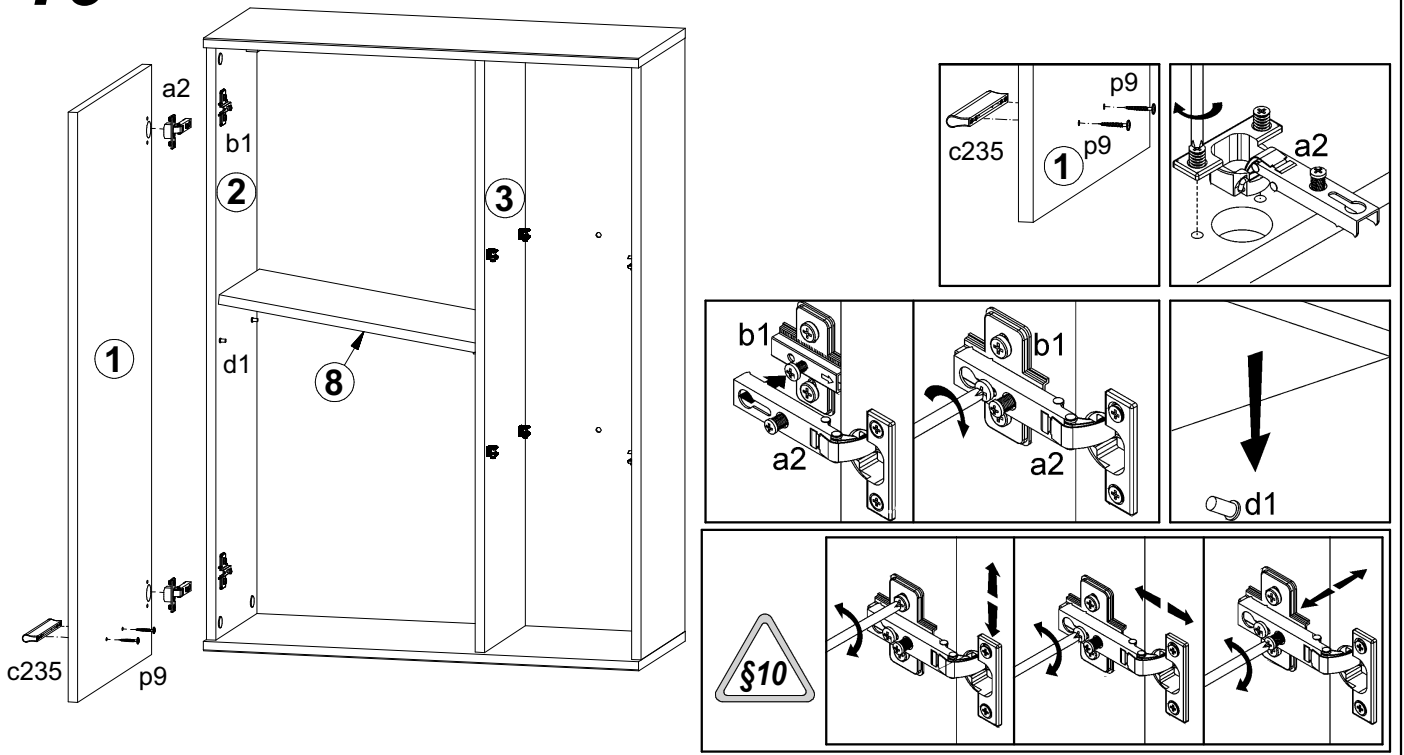
# 14



# 15



# 16



# 17

